



Parts Manual

Spray Unit

Easy Spray-H

Issue 3.0 26/03/19
Ref. NR-00087-ENG



Before installing the unit and starting it up, please take the time to read all the technical and safety instructions in the Service Manual. It is essential that you follow these instructions carefully so that you can handle and use the unit properly. These instructions are intended to maximize user safety and avoid malfunctions deriving from the incorrect use of the unit.



WARRANTY

HI-TECH SPRAY EQUIPMENT, S. A. ("HI-TECH") provides this LIMITED WARRANTY ("Warranty") to the original purchaser ("Customer") covering the equipment and the original accessories delivered with the equipment ("Product") against defects in the design, materials or manufacture of the Product from the moment of initial purchase by the user and for a period of two (2) years from this date.

If during the Warranty Period and under conditions of normal use, the Product stops working correctly for reasons connected with its design, materials or manufacture, the authorized dealer for the country where the Product was purchased or the HI-TECH technical assistance service shall repair or replace the Product in accordance with the following

CONDITIONS

- a) This Warranty is only valid if accompanied, on presentation of the Product for its repair or substitution, by the original invoice issued by a HI-TECH dealer authorized to sell the Product, and which should indicate the date of purchase and serial number. HI-TECH reserves the right to withhold the provision of Warranty where the aforementioned information does not appear on the invoice or has been altered after the purchase of the Product.
- b) The repaired or replaced Product shall be covered by the original Warranty for the time remaining until its expiry or for three (3) months subsequent to the repair date, where the remaining Warranty period is shorter.
- c) This warranty does not apply to Product malfunctions caused by: its defective installation, natural wear of parts, its use for purposes other than those considered normal for this Product or in a manner which does not strictly comply with the instructions for use provided by HI-TECH; accident, recklessness, or adjustments, alterations or modifications to the Product not authorized by HI-TECH; or the use of accessories, heating devices, pumping apparatus and/or dispensers not approved or manufactured by HI-TECH.
- d) Parts and accessories which are part of the Product and not manufactured by HI-TECH are covered by the Warranty offered by their original manufacturer.

HI-TECH SHALL HONOUR NO VERBAL OR WRITTEN WARRANTY OTHER THAN THE PRESENT LIMITED WARRANTY IN ITS PRINTED FORM. ALL IMPLIED WARRANTIES, INCLUDING AND WITHOUT LIMIT FITNESS FOR A PARTICULAR PURPOSE, EXPIRE WHEN THIS WRITTEN GUARANTEE EXPIRES. HI-TECH SHALL NOT BE HELD LIABLE FOR ANY DAMAGE OR LOSSES CAUSED BY THE DEFECTIVE PERFORMANCE OR OPERATION OF THE PRODUCT, OR BY THE MATERIAL DISPENSED BY THE PRODUCT, INCLUDING ALL LOSSES DERIVING FROM DAMAGES TO PERSONS OR PROPERTY. HI-TECH SHALL NOT IN ANY CIRCUMSTANCES BE HELD LIABLE FOR LOSSES IN SPECULATIVE GAINS OR PROFITS. THE REPAIR OR REPLACEMENT OF THE DEFECTIVE PRODUCT SHALL CONSTITUTE THE FULL DISCHARGE OF HI-TECH'S RESPONSIBILITIES TOWARDS THE CUSTOMER. HI-TECH CANNOT GUARANTEE THE SUITABILITY OR FITNESS FOR PURPOSE OF ITS PRODUCT FOR ANY GIVEN USE OR APPLICATION.

All information on parts not manufactured by HI-TECH and based on the statements of the original manufacturer is given without warranty or liability of any kind, express or implied, even if considered accurate and reliable.

Under no circumstances shall the transfer, sale or financial leasing of the Product by HI-TECH constitute express or implied authorization, assent or permission for the use of rights or patents, or provide grounds for, encourage or endorse their violation.

Warranty restrictions do not limit the legal rights of the consumer as provided in applicable national legislation or affect the rights deriving from the purchase agreement between consumer and provider.

SPRAY UNIT MODEL easy spray - H

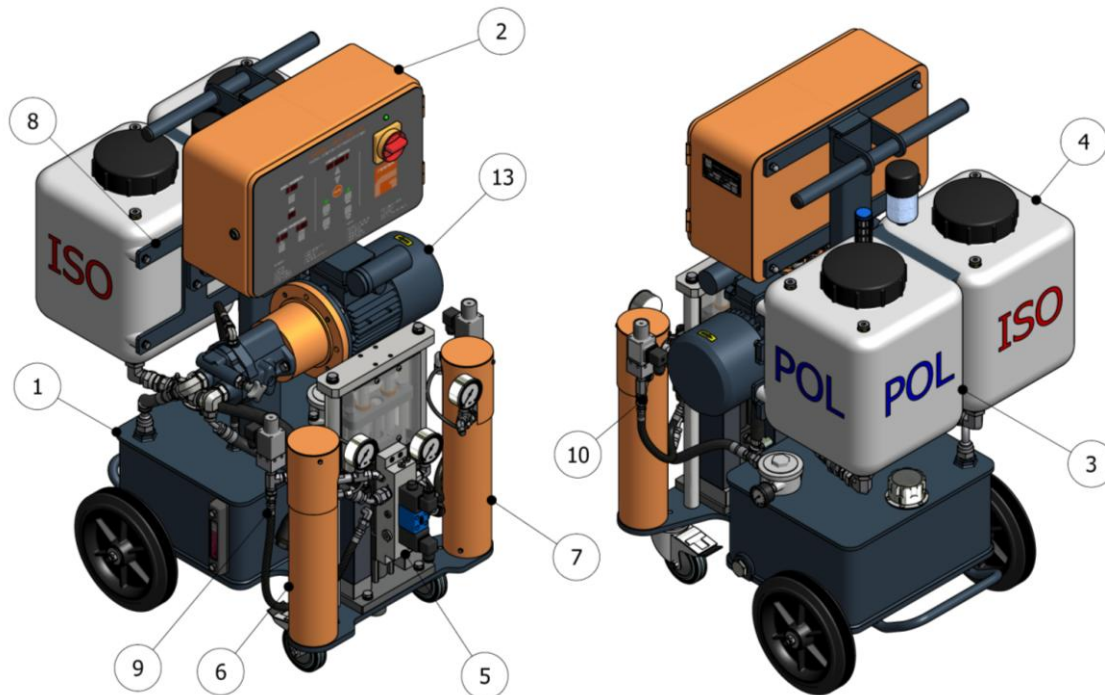


Figure 1. Spray unit model easy spray - H

Table 1. Spray unit parts list
Model: easy spray - H

Pos.	Description	Reference	Qty
1	Frame assembly	MQ-18021-00	1
2	Electrical console assembly	See Table 3	1
3	POL tank assembly	MQ-06012-00	1
4	ISO tank assembly	MQ-06013-00	1
5	Pump assembly	-	1
6	ISO heater assembly	CLH-06003-02	1
7	POL heater assembly	CLH-06004-02	1
8	Tank mounting arms	MQ-18026	1
9	ISO pump-heater hose	MA-00036	1
10	POL pump-heater hose	MA-00036	1
13	Hydraulic motor and pump assembly	-	1



Table 2. Basic configurations

Reference	Description
ES150-425R15	easy spray-H single-phase 230V – Hoses with recirculation gun
ES150-425H15	easy spray-H single-phase 230V – Heated hoses 1.5kW

Table 3. List of references for electrical console

Reference	Description
EL-00231	Electrical console assy. (single-phase 230V) Gun recirculation Version 1
EL-00234	Electrical console assy. (single-phase 230V) Heated 15 m hose Version 2

ELECTRICAL CONSOLE

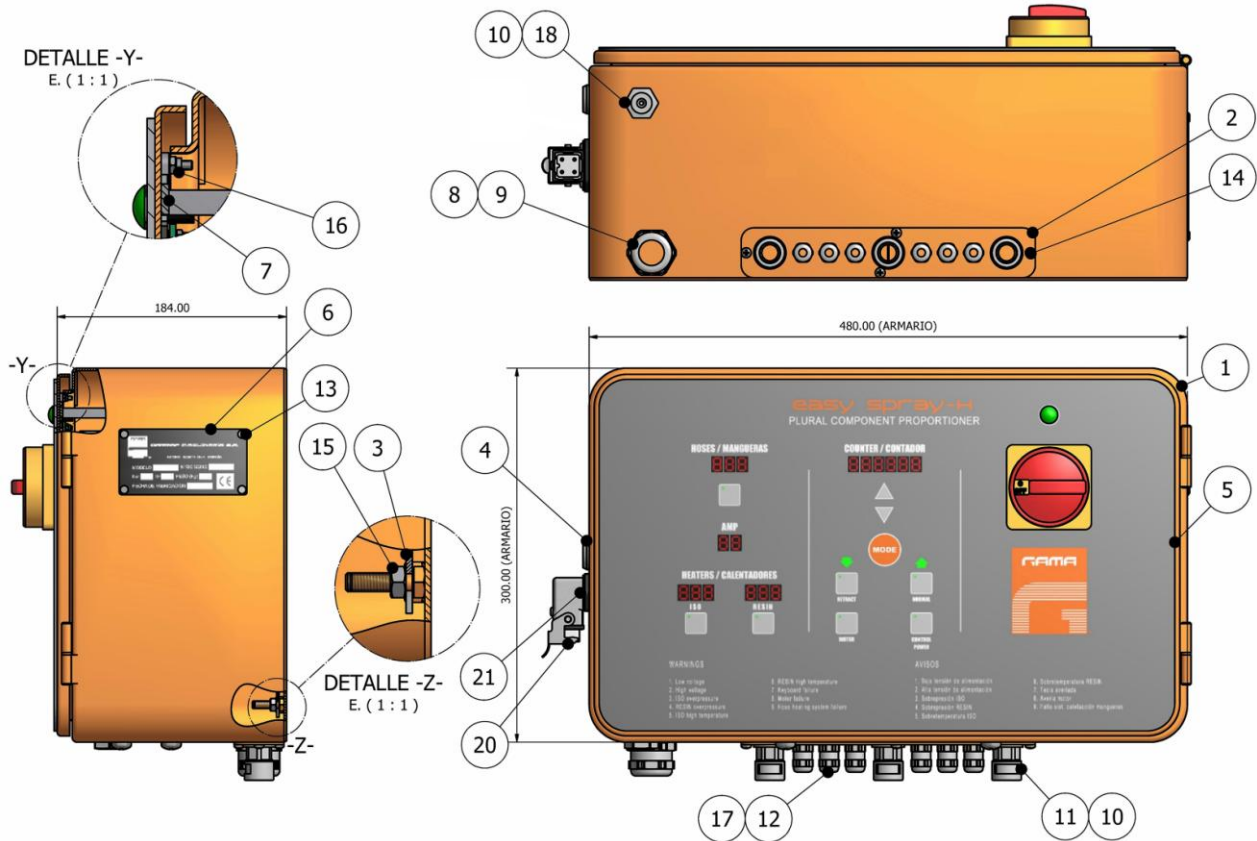


Figure 2. Electrical console for Easy Spray - H

Table 4. List of parts for electrical console for Easy Spray - H

Pos.	Description	Reference	Qty
1	Soldered cabinet assembly	See Table 5	1
2	Lower cabinet cover	EL-00027-01F	1
3	Cabinet back plate	EL-00018-03	1
4	Cabinet lock assy.	EL-00034	1
5	Face panel assembly	See Table 6	1
6	Rating plate	MQ-01010	1
7	Internal reinforcement brace	EL-00145	1
8	Brass nut	EL-00090-03	1



Parts Identification

Pos.	Description	Reference	Qty
9	Cable gland	EL-00088-01	1
10	Brass nut	EL-00090-01	3
11	Cable gland	EL-00087-00	3
12	Cable gland	EL-00088-00	6
13	Blind rivet	TN-00240	4
14	Screw	TN-00031	4
15	Hex nut	TN-00108	4
16	Hex nut	TN-00182	10
17	Brass nut	EL-00090-00	6
18	Plastic cap	EL-00088-08	1
19			
20	Female connector assembly (*)	EL-00096-04/05	1
21	Screw (*)	TN-00421	2

Note: () Parts valid only for the heated hose option.*

Table 5. List of cabinet variants

	easy spray – H Hoses with recirculation (version 1)	easy spray – H 15 m heated hoses (version 2)
Soldered cabinet assembly	EL-00001-07	EL-00001-12

Table 6. List of parts for Face panel assembly

	GAMA face panel (standard)
Face panel 1x	EL-00232
Circuit 1x	EL-00015-05
Switch 1x	EL-00107-02
Spacer 9x	EL-00019-03

HYDRAULIC DRIVE WITH SINGLE-PHASE MOTOR 230V 50/60HZ (VK pump)

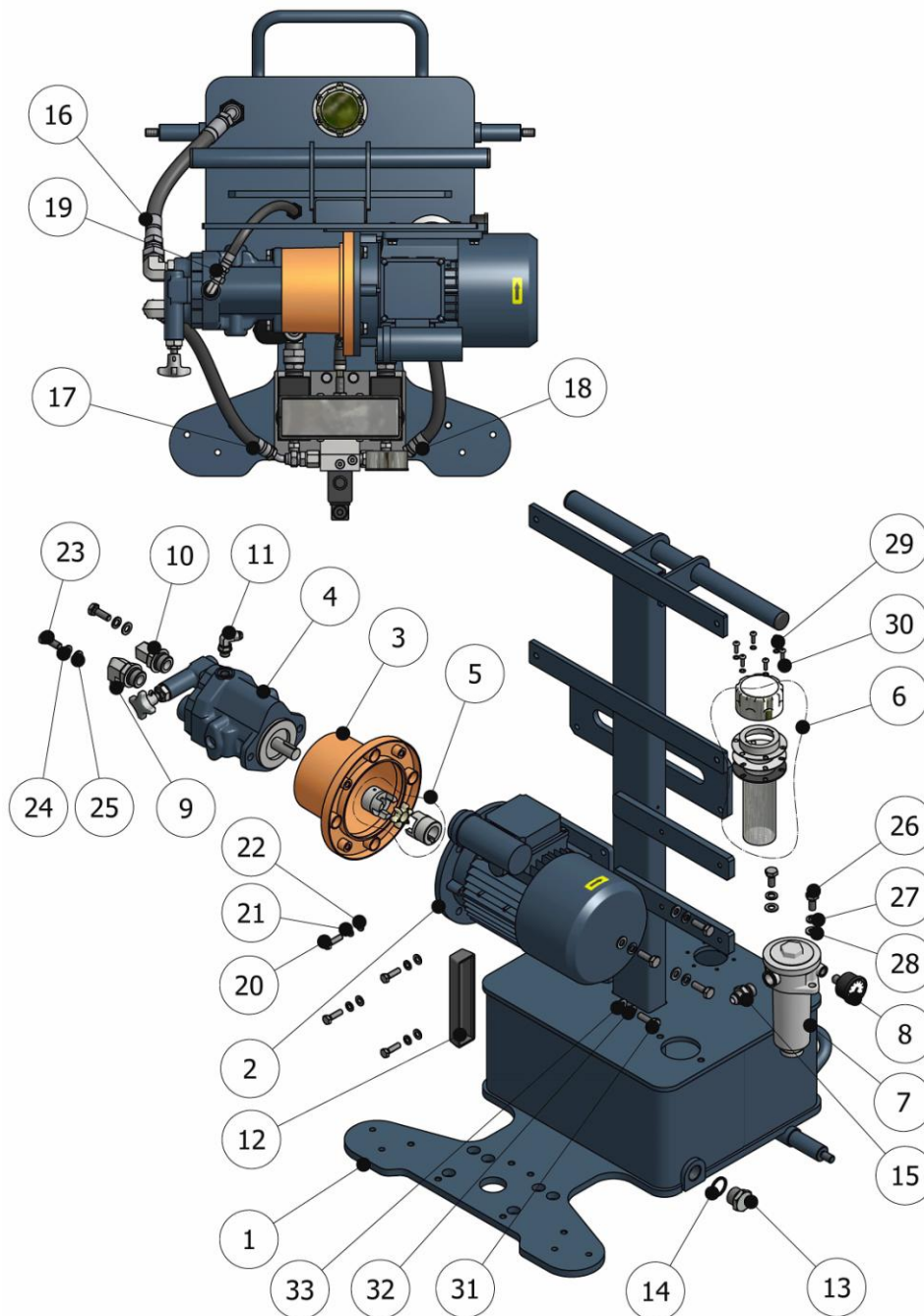


Figure 3. Single-phase hydraulic drive 230V 50/60Hz (with VK pump)

HYDRAULIC DRIVE WITH SINGLE-PHASE MOTOR 230V 50/60HZ (BR pump)

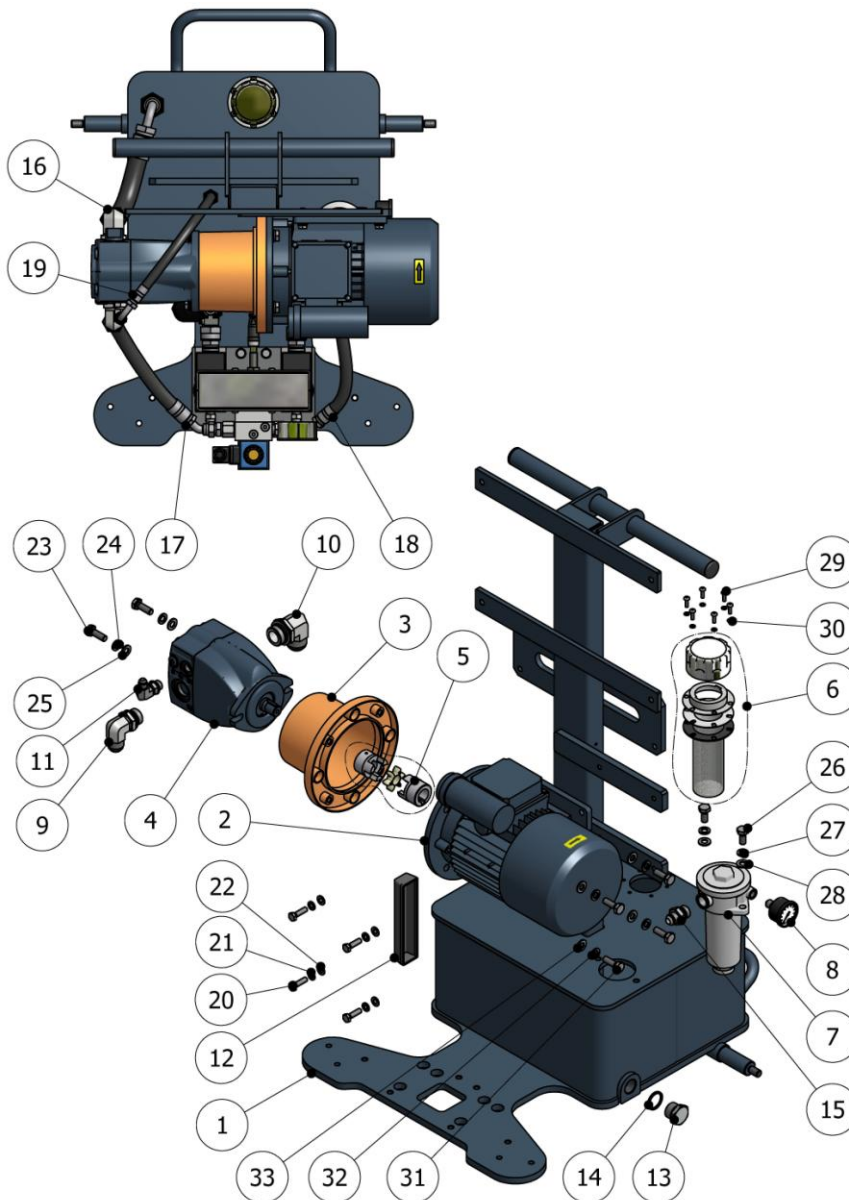


Figure 4. Single-phase hydraulic drive 230V 50/60Hz (with BR pump)



Parts Identification

Table 7. List of parts for Hydraulic Drive with Single-phase Motor 230V 50/60Hz

Pos.	Description	Reference	Qty
1	Frame assembly with hydraulic tank	MQ-18021-00	1
2	230V single-phase electric motor	See Table 8	1
3	Hood	HI-00124	1
4	VK pump	HI-00130	1
	BR pump	HI-00135	1
5	Spidex elastic coupler	HI-00125	1
6	Fill cap assembly	HI-00002	1
7	Return filter assembly	HI-00123-00	1
8	Pressure gauge (included in POS 7)	HI-00123-03	1
9	Elbow coupler 90° (VK)	RA-00433	1
	Elbow coupler 90° (BR)	RA-00454	1
10	Elbow coupler 90° (VK)	RA-00434	1
	Elbow coupler 90° (BR)	RA-00448	1
11	Elbow 90° (VK)	RA-00177	1
	Elbow 90° (BR)	RA-00450	1
12	Thermometer	HI-00001	1
13	Drain cap	RA-00022	1
14	Bi-material gasket	OR-00082	1
15	Nipple	RA-00316	1
16	Intake hose (VK)	HI-00132	1
	Intake hose (BR)	HI-00137	1
17	Pressure hose (VK)	HI-00133	1
	Pressure hose (BR)	HI-00138	1
18	Return hose	HI-00053-02	1
19	Drain hose (VK)	HI-00131	1
	Drain hose (BR)	MA-00036	1
20	Hex screw	TN-00054	4
21	Glomer washer	TN-00028	4
22	Flat washer	TN-00119	4
23	Hex screw	TN-00129	2

Cont. overleaf



Parts Identification

/ cont.

Pos.	Description	Reference	Qty
24	Glomer washer	TN-00087	2
25	Flat washer	TN-00162	2
26	Allen Screw	TN-00189	2
27	Glomer washer	TN-00087	2
28	Flat washer	TN-00162	2
29	ULS screw	TN-00417	6
30	Glomer washer	TN-00109	6
31	Allen screw	TN-00189	4
32	Glomer washer	TN-00087	4
33	Flat washer	TN-00162	4

Table 8. Variable of Single-phase Electric Motor

Description	Reference
Single-phase Electric Motor 230 v - 1,8 kW - 1380 rpm - 50 Hz (Standard)	EL-00229
Single-phase Electric Motor 230 v - 1,8 kW - 1660 rpm - 60 Hz (Special)	EL-00275

FRAMEWORK COMPONENTS

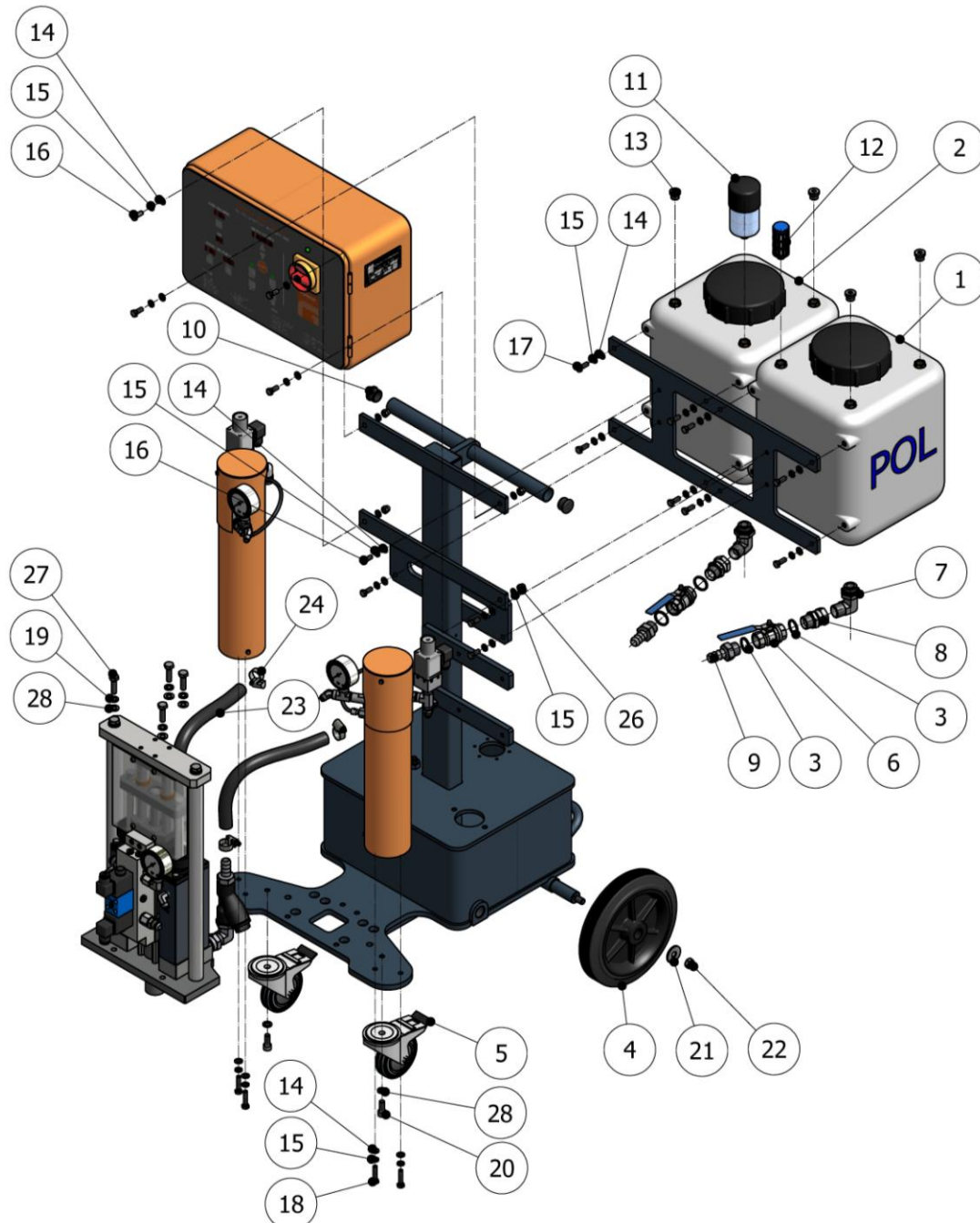


Figure 5. Framework components



Table 9. List of framework components

Pos.	Description	Reference	Qty
1	POL tank assy.	MQ-06012-00	1
2	ISO tank assy.	MQ-06013-00	1
3	Bi-material gasket	OR-00082	4
4	Wheel	MQ-08112	2
5	Castor with lock	MQ-06021	2
6	Ball valve	RA-00078	2
7	Elbow coupler 90°	RA-00072	2
8	Swivel nut	RA-00073	2
9	Straight coupler with pin	RA-00219	2
10	Handlebar cap	MQ-06017-03	2
11	Dryer filter	NE-00045	1 (*)
12	Silencer	NE-00056	1 (#)
13	Flanged cap	RA-00049	2 (*) 2 (#)
14	Flat washer	TN-00119	20
15	Glomer washer	TN-00028	24
16	Hex screw	TN-00187	8
17	Hex screw	TN-00146	8
18	Hex screw	TN-00399	4
19	Glomer washer	TN-00087	4
20	Allen screw	TN-00189	2
21	Washer	TN-00271	2
22	Locking nut	TN-00030	2
23	Hose	MA-00058	1 m
24	Mikalor clamp	TN-00364	4
25	Hose reinforcement spring (not shown)	SP-00019	1 m
26	Nut	TN-00029	4
27	Hex. Screw	TN-00163	4
28	Washer	TN-00162	6

(*) Items included in ISO Tank Assy Ref. 2

(#) Items included in POL Tank Assy Ref. 1.

Ref. Tank only with Cover; MQ-06012-01 (common for ISO & POL).

PROPORTIONING PUMP ASSEMBLY

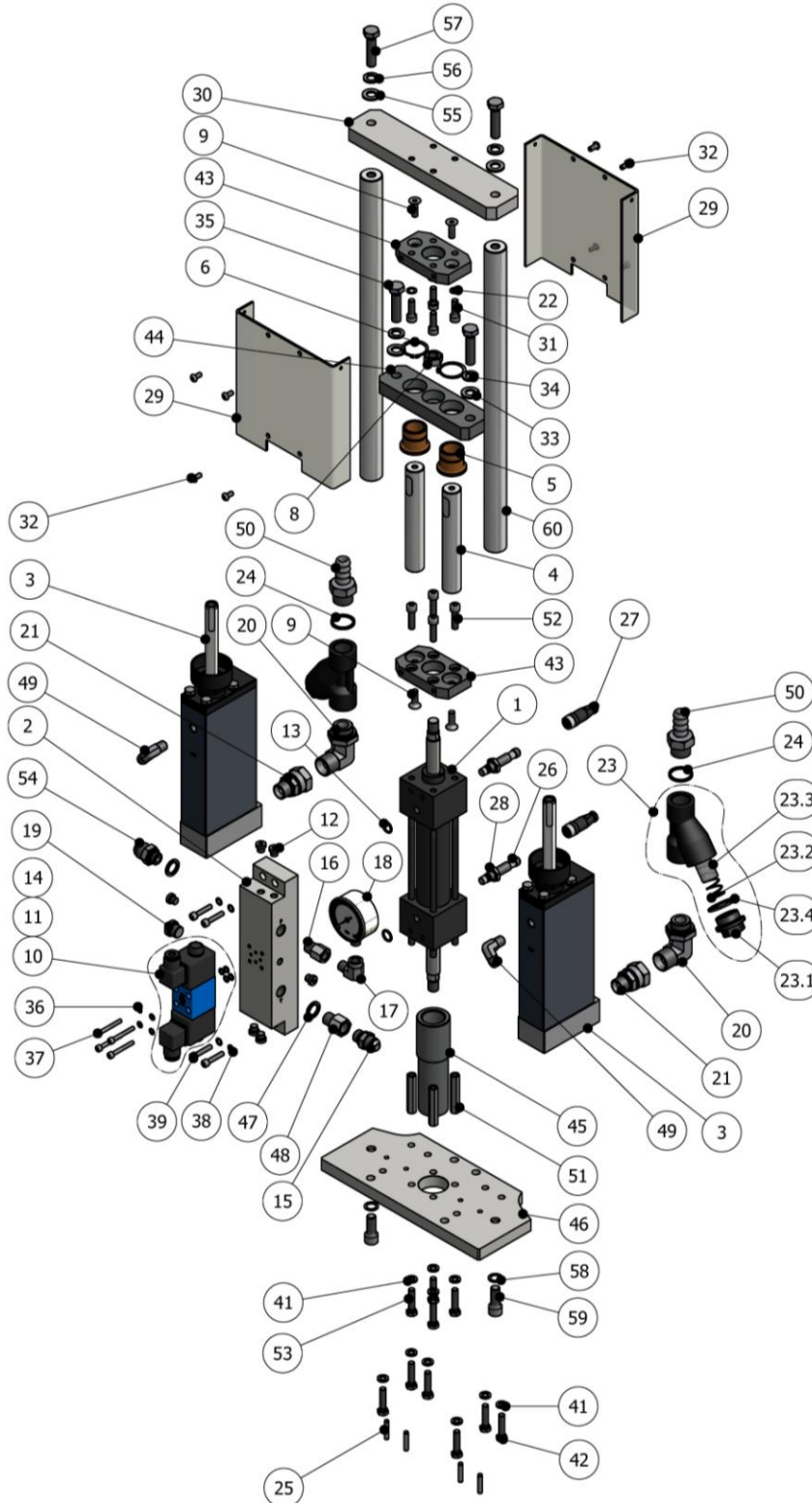


Figure 6. Proportioning pump assembly



Table 10. List of parts for proportioning pump assembly

Pos.	Description	Reference	Qty
1	Hydraulic cylinder	HI-00127	1
2	Hydraulic distributor block	MQ-18001	1
3.A	ISO proportioning pump	See Table 11	1
3.R	POL proportioning pump	See Table 11	1
4	Guide column	MQ-18006	2
5	Guide bush	TN-00314	2
6	Seeger ring	TN-00070	2
7	-	-	-
8	Hex nut	TN-00415	1
9	Countersunk screw	TN-00191	4
10	Solenoid valve assy. NG4 C.A.	HI-00126	1
11	O-ring (included in "POS".10)	OR-00024	3
12	1/8" BSPP flanged cap	RA-00211	6
13	O-ring	OR-00143	2
14	O-ring (included in "POS".10)	OR-00057	1
15	Nipple	RA-00388	1
16	Adapter	RA-00436	1
17	Elbow 90°	RA-00021	1
18	Pressure gauge 160 bar	HI-00015	1
19	Flanged cap	RA-00049	1
20	Adjustable elbow 90°	RA-00072	2
21	Swivel nut adapter	RA-00141	2
22	Washer	TN-00038	4
23	30 mesh filter assy.	RA-00074-00	2
23.1	Filter cap (Included in POS.23) (*)	RA-00074-01	1
23.2	Filter spring (included in POS.23) (*)	SP-00017	1
23.3	30 Mesh filter (included in POS.23) (*)	RA-00074-03-30	1
23.4	Bi-material gasket (included in POS.23) (*)	OR-00061	1
24	Bi-material gasket	OR-00082	2

(*) Quantities per filter.

Cont. overleaf.



Parts Identification

/ cont.

Pos.	Description	Reference	Qty
25	Pin DIN 7979 – 6x30	TN-00055	4
26	Inductive sensor (included in POS.1)	EL-00136-09	2
27	M12 4P connector	EL-00096-23	2
28	Sensor nut (included in POS.26) (*)	EL-00090-00	1
29	Polycarbonate protective casing	MQ-18014	2
30	Upper Plate	MQ-18033	1
31	Screw	TN-00027	4
32	Screw	TN-00170	8
33	Flat washer	TN-00040	2
34	Glomer washer	TN-00039	2
35	Hex screw	TN-00037	2
36	Serrated washer	TN-00017	4
37	Allen screw	TN-00198	4
38	Serrated washer	TN-00048	4
39	Allen screw	TN-00014	4
40			
41	AET washer	TN-00038	10
42	Hex screw	TN-00399	6
43	Column base plate	MQ-18004	2
44	Puma yoke	MQ-18005	1
45	Spacer	MQ-18002	1
46	Pump base plate	MQ-18035	1
47	Bi-material gasket	RA-00018	2
48	Extension nozzle	RA-00438	1
49	Nipple	RA-00044	2
50	Coupler with pin M3/4"BSPP-pin 19mm	RA-00219	2
51	Hex. Spacer	MQ-18030	4
52	Allen screw	TN-00429	4
53	Hex. Screw	TN-00428	4
54	Nipple	RA-00062	1

(*) Quantities per assembly

Cont. overleaf.



Parts Identification

/ cont.

Pos.	Description	Reference	Qty
55	Flat Washer	TN-00040	2
56	AET Washer	TN-00015	2
57	Hex. Screew	TN-00037	2
58	AET Washer	TN-00015	2
59	Allen Screew	TN-00043	2
60	Column	MQ-18037	2

Table11. List of parts per proportioning pump size, easy spray-H

Size of proportioning pump	Description	Reference
4.5	ISO / POL proportioning pump	PU-02001-ESG

Note:

The isocyanate and polyol pumps are identical.

PROPORTIONING PUMP

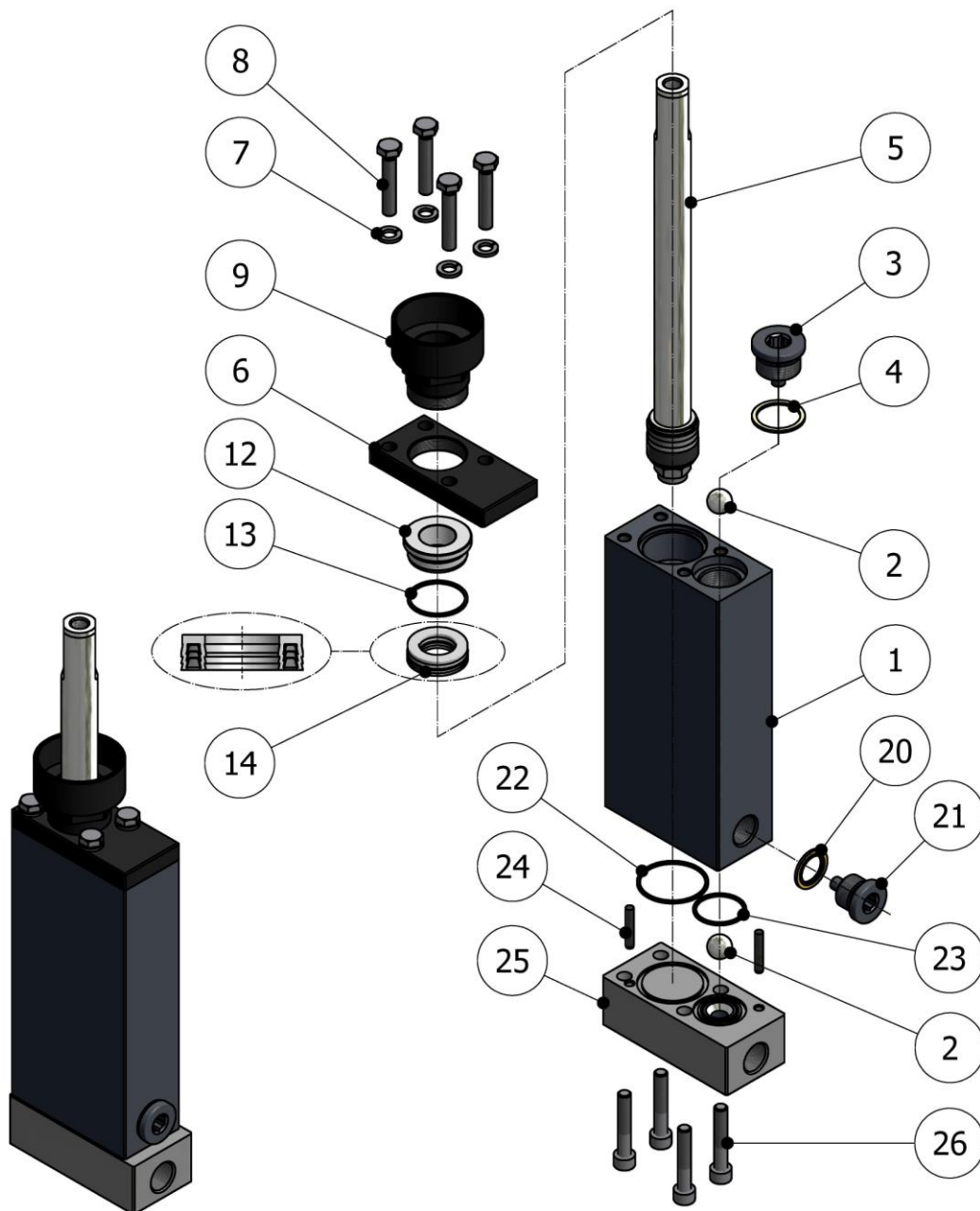


Figure 7. Proportioning pump

**Table12. List of parts for proportioning pump assembly**

Pos.	Description	Reference	Qty
1	Pump and upper bushing assy.	PU-02001-02A	1
1.1	Pump housing	PU-02001-02	1
1.2	Ball seat bushing	PU-02000-09	1
2	Chrome-plated steel ball	TN-00012	2
3	Upper ball stopper	PU-02000-21	1
4	Stopper gasket	PU-02000-27	1
5	Shaft assy.	See page 20	1
6	Pump yoke	PU-02000-03	1
7	Locking washer	TN-00028	4
8	Hex head screw	TN-00051	4
9	Packing nut	PU-02001-31	1
12	Guide bush (#)	PU-02001-30G	1
13	O-ring (#)	OR-00125	1
14	Retainer (#)	OR-00117G	1
20	Gasket	OR-00023	1
21	Lower ball stopper	PU-02000-10	1
22	O-ring	OR-00013	1
23	O-ring	OR-00014	1
24	Pin	TN-00042	2
25	Base plate and bush assy.	PU-02000-01A	1
25.1	Ball seat bushing	PU-02000-09	1
25.2	Pump base plate	PU-02000-01	1
26	Cylindrical head screw	TN-00046	4
27	Gasket kit (not shown in drawing)	See Table14	1

Notes:

The isocyanate and polyol pumps are identical.

The quantities indicated are for one pump.

(#) Parts included in gasket kit Pos. 27. (Includes replacement parts for 1 pump).

PROPORTIONING PUMP PISTON

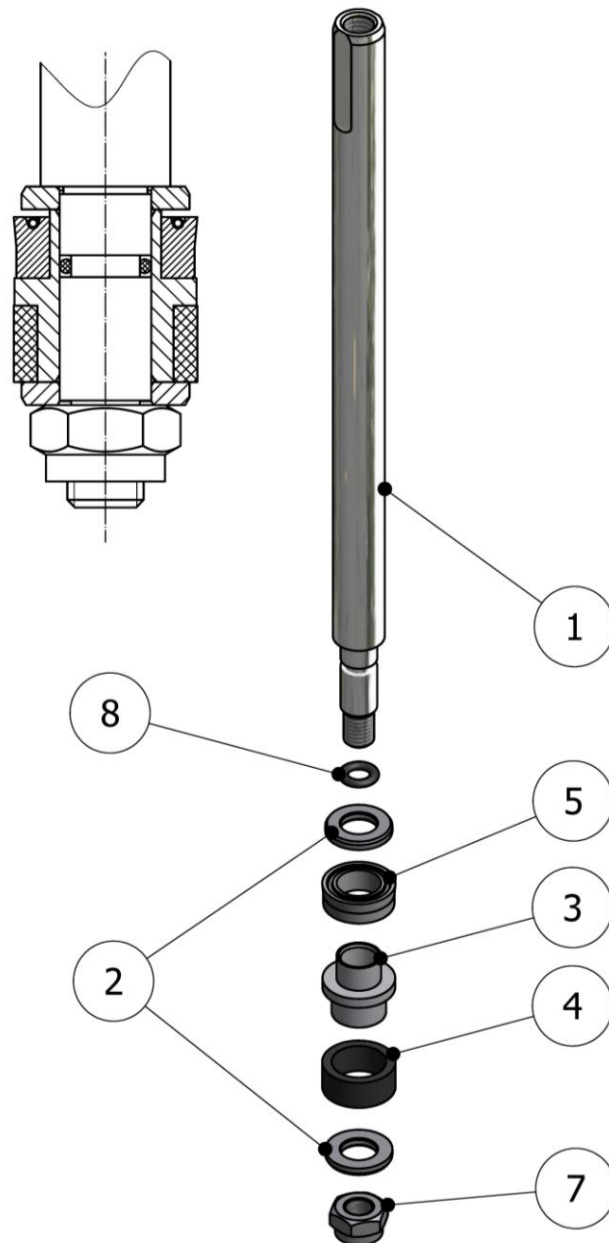


Figure 8. Proportioning pump piston, exploded view



Table13. List of components of proportioning pump piston

Pos.	Description	Reference	Qty
1	Pump shank	PU-02001-06	1
2	Washer	PU-02001-08	2
3	Pump rod	PU-02001-07R	1
4	Rod guide (#)	OR-00050	1
5	Rod gasket (#)	OR-00151	1
6			
7	Self-locking nut	TN-00165	1
8	O-ring (#)	OR-00049	1
9	Gasket kit	See Table14	1

Note:

Quantities per pump.

(#) Parts included in gasket kit Pos. 9. (Includes replacement parts for 1 pump).

Table14. Seal Kit, Parts List

Reference	Description
KT-00153	#4.5 Pump Seal Kit

PRIMARY HEATER

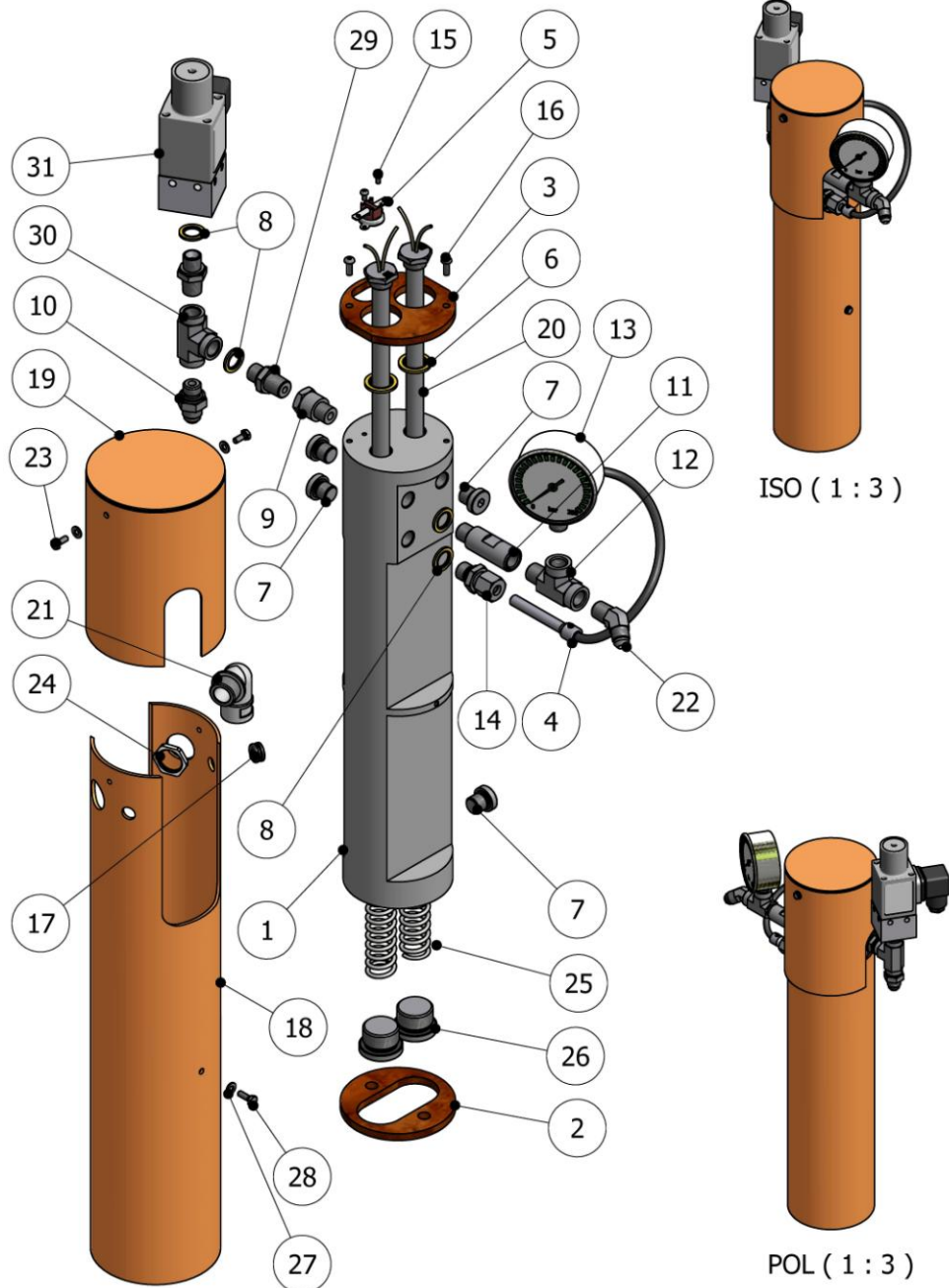


Figure 9. Primary heater

Note: The heaters for isocyanate and polyol are the same, except for outlet coupling POS.22, cover POS.19 and the assembly of the parts.



Parts Identification

Table15. List of parts Primary heater

Pos.	Description	Reference	Qty
1	Heater block	CLH-06001-01	1
2	Bottom insulating plate	CL-06001-03	1
3	Top insulating plate	CL-06001-02	1
4	Thermocouple	EL-00146-00	1
5	Thermal limit switch	EL-00006	1
6	Gasket	OR-00018	2
7	Cap	RA-00013	4
8	Gasket	OR-00054	4
9	Extension nozzle	RA-00077	1
10	Straight coupler	RA-00145	1
11	Male extension nozzle	RA-00100	1
12	“T” connector	RA-00018	1
13	Pressure gauge	HI-00019	1
14	Straight coupler for tube	RA-00231	1
15	Screw	TN-00128	2
16	Screw	TN-00143	2
17	Grommet	EL-00095-00	1
18	Heater casing	CL-06001-05	1
19	Heater cap	See Table 16	1
20	Element	EL-00155	2
21	Elbow coupler for tube	EL-00087-01	1
22	45° elbow coupler	See Table 16	1
23	Screw	TN-00317	2
24	Nut	EL-00090-01	1
25	Spring	SP-00009	2
26	Cap	RA-00012	2
27	Washer	TN-00104	3
28	Screw	TN-00324	1
29	Nipple	RA-00138	2
30	“T” connector	RA-00053	1
31	Pressure switch	HI-00020	1

Note: The heaters for isocyanate and polyol are the same, except for outlet coupling POS.22, cover POS.19 and the assembly of the parts.



Parts Identification

Table16. List of parts specific to heater models

Reference	Description	POS. 19	POS. 22
CLH-06003-02	Isocyanate heater	CL-06001-06	RA-00017
CLH-06004-02	Polyol heater	CL-06002-06	RA-00043

INLET BYPASS KIT REF. KT-00119

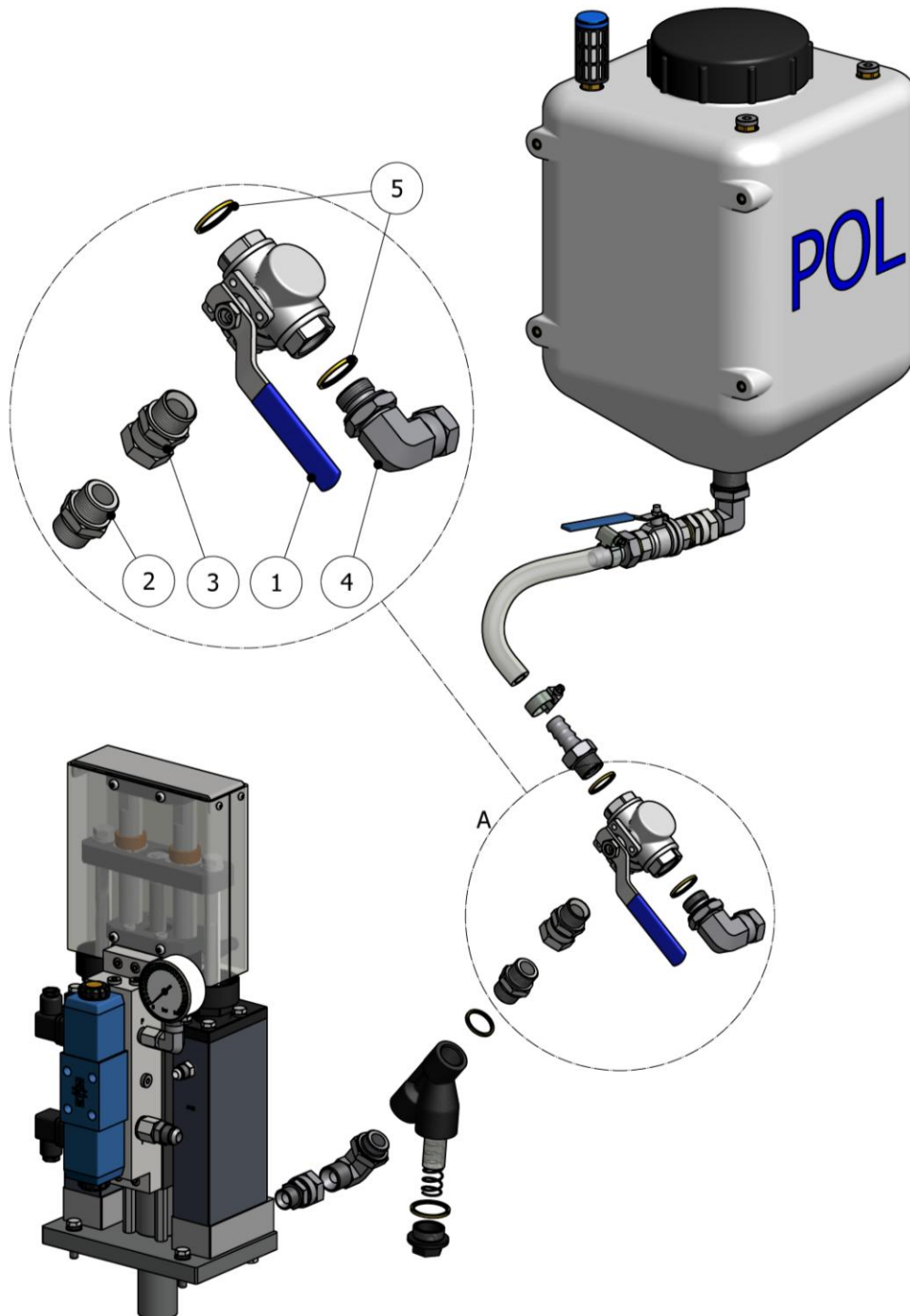


Figure 10. Inlet Bypass kit Ref. KT-00119



Parts Identification

Table17. List of components of Inlet Bypass kit

Pos.	Description	Reference	Qty
1	3 Way "L" Ball Valve	RA-00458	2
2	Nipple	RA-00142	2
3	Swivel nut adapter	RA-00073	2
4	Elbow 90° Swivel nut	RA-00338	2
5	Metal-Ring	OR-00082	4

Other parts of the drawing according to standard assembly.

The quantities reflected in the table correspond to the total units included in the kit for two Product Pumps.

RECIRCULATION KIT REF. KT-00059-90

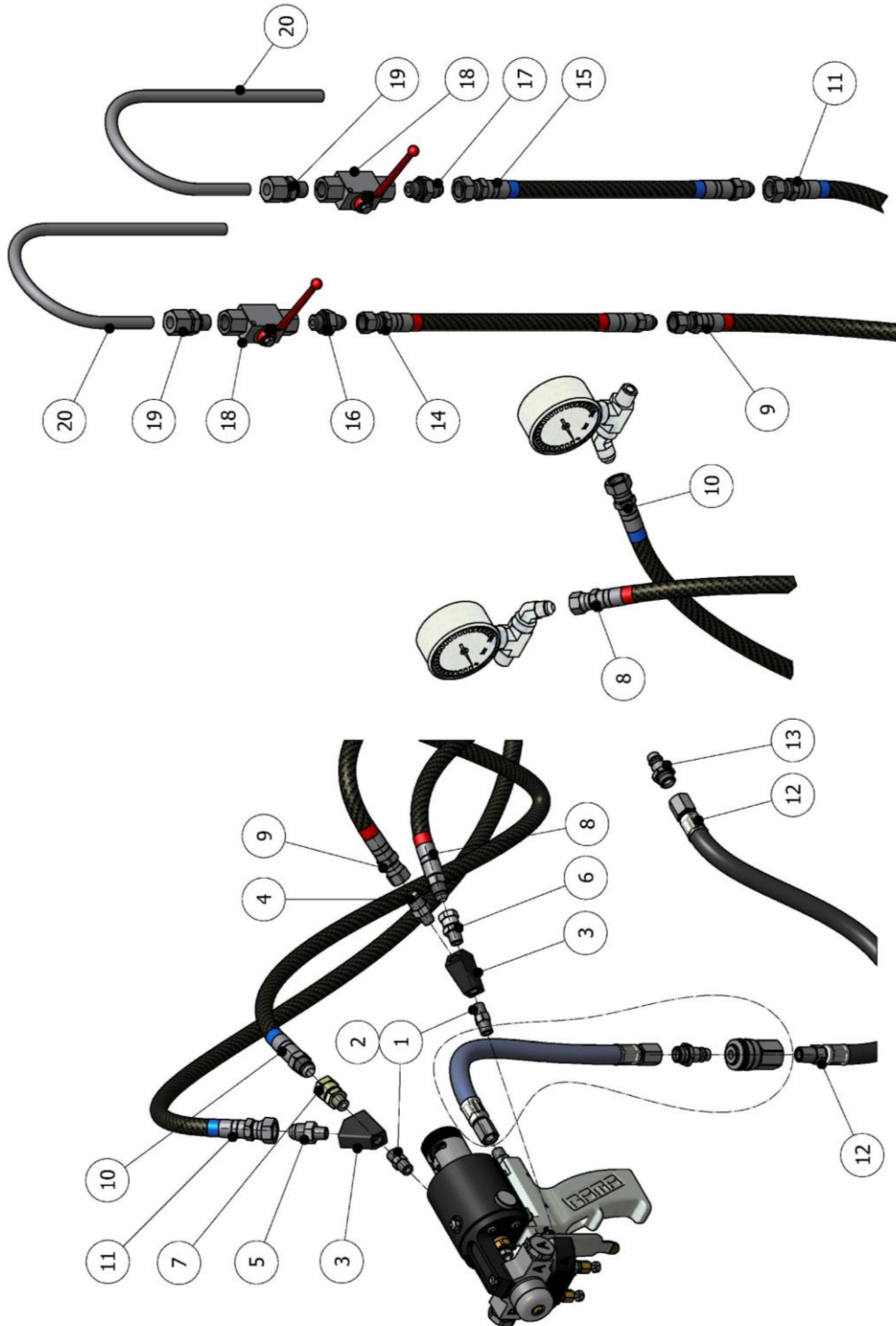


Figure 11. Recirculation kit Ref. KT-00059-90

**Table18. List of components of recirculation kit**

Item.	Description	Part Number	Qty.
1	Nipple	RA-00112	2
2	Elbow	RA-00205	2
3	Manifold	RA-00464	2
4	Nipple	RA-00238	1
5	Nipple	RA-00237	1
6	Swivel (*)	RA-00005	1
7	Swivel (*)	RA-00006	1
8	Flex 10000 mm Supply ISO	MA-00060-3	1
9	Flex 10000 mm Recirculation ISO	MA-00060-2	1
10	Flex 10000 mm Supply POL	MA-00059-3	1
11	Flex 10000 mm Recirculation POL	MA-00059-2	1
12	Air Hose	MA-00031	1
13	Air Coupler	RA-00110	1
14	Flex 1000 mm Recirculation Extended ISO	MA-00177	1
15	Flex 1000 mm Recirculation Extended POL	MA-00178	1
16	Nipple	RA-00144	1
17	Nipple	RA-00145	1
18	Ball Valve	RA-00217	2
19	Swivel	RA-00218	2
20	Tube	MQ-06016	2
	Hose Cover 10000 mm	MA-00123	
	Insulating Cover 10000 mm	MA-00099	
	Insulating Cover 8000 mm	MA-00099-1	

This kit is included with the standard unit version 1.

ADDITIONAL TRANSFORMER (OPTIONAL)

For heated hoses of 38 to 48 m

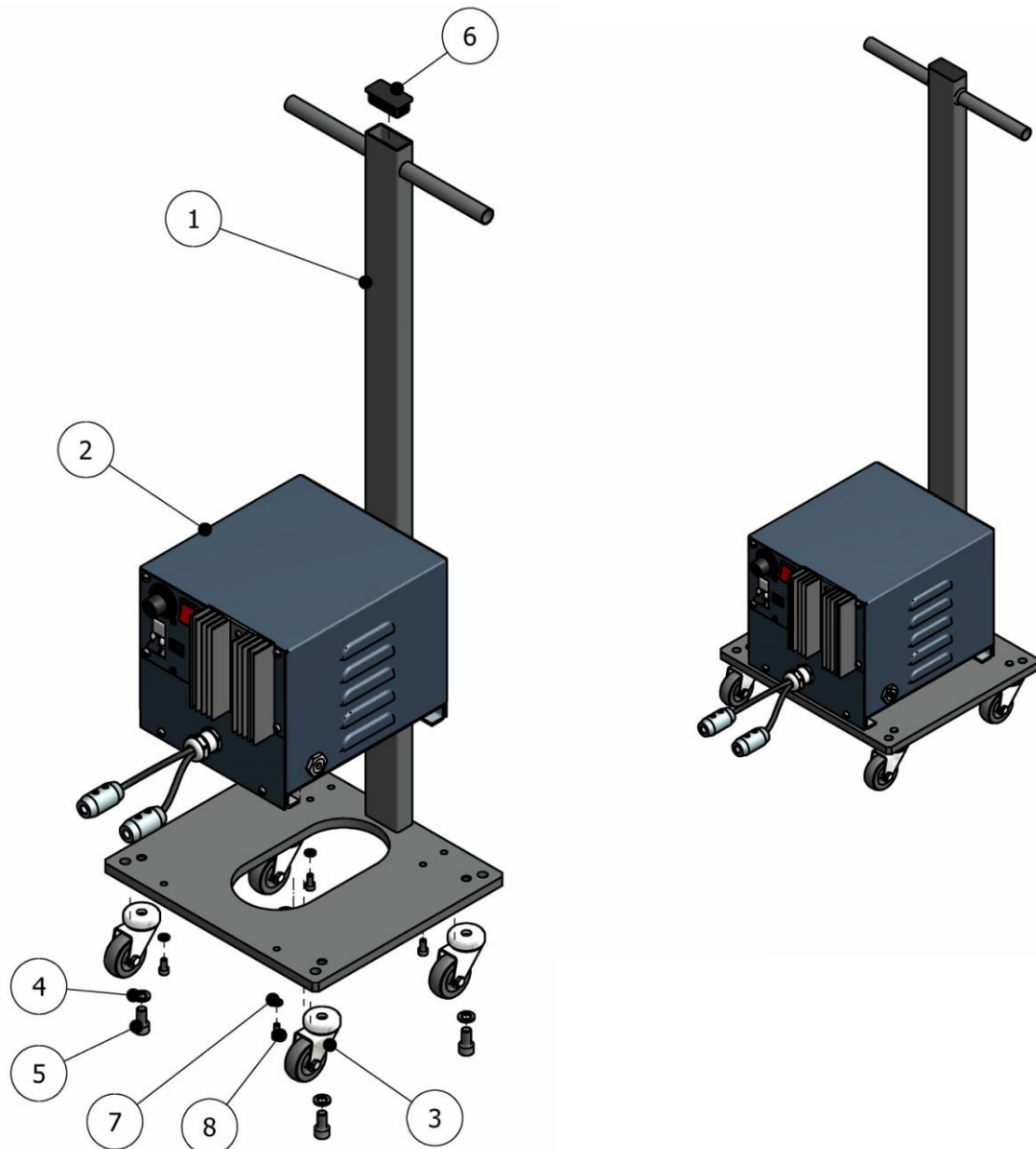


Figure 12. Additional transformer (optional)
Ref. MQ-18022



Parts Identification

**Table19. List of components of additional transformer (optional)
Ref. MQ-18022**

Pos.	Description	Reference	Qty
1	Transformer cart	MQ-18022-00	1
2	Transformer	EL-00127-08	1
3	Castor	MQ-07010	4
4	Glomer washer	TN-00087	4
5	Allen screw	TN-00206	4
6	Tube cap	-	-
7	Glomer washer	TN-00025	4
8	Allen screw	TN-00409	4

For heated hoses of 38 to 48 m

CIRCUIT DIAGRAM: SINGLE-PHASE 230V 50/60HZ

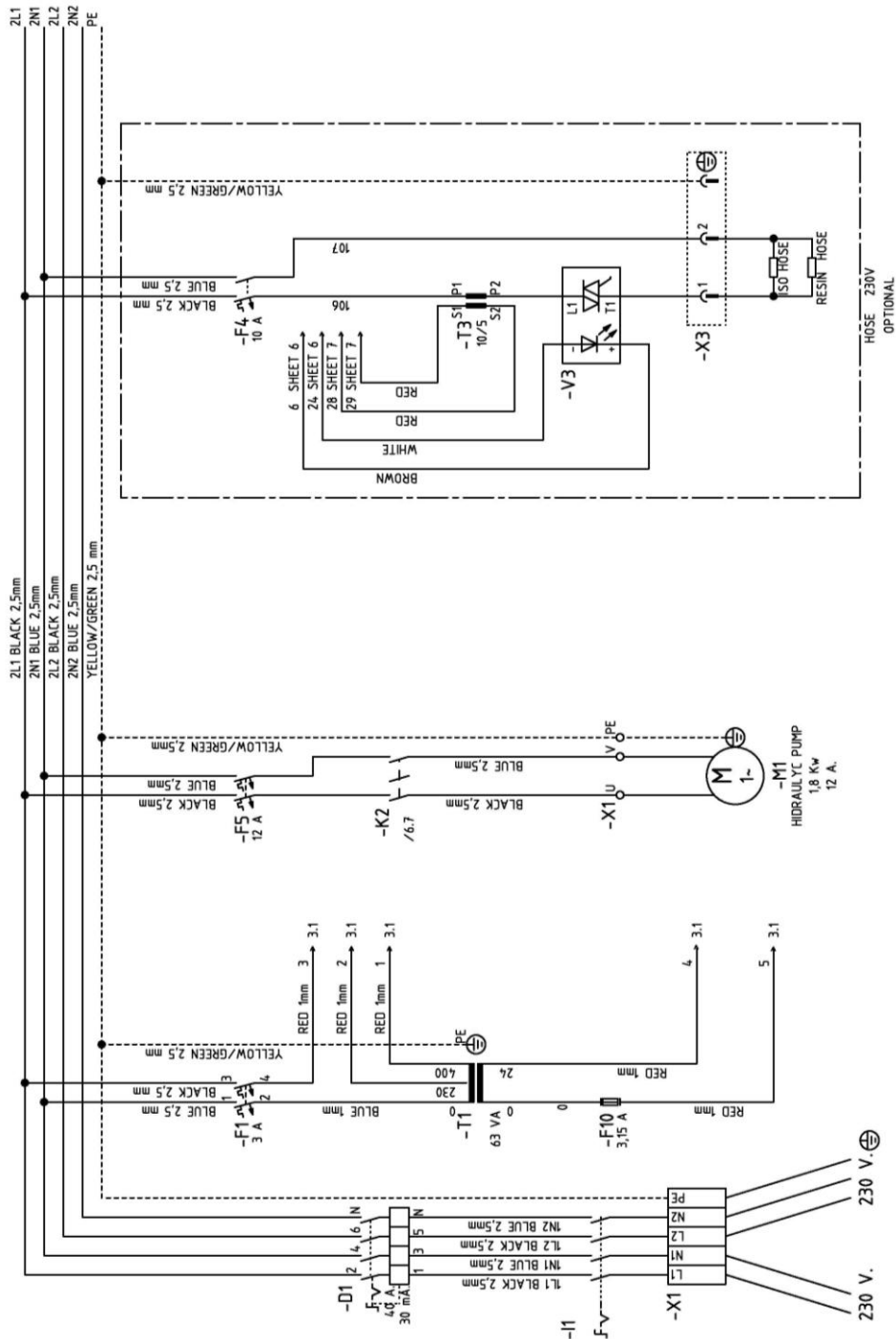


Figure 13. Circuit diagram: single-phase 230V 50/60Hz standard version (page 1/7)

Parts Identification

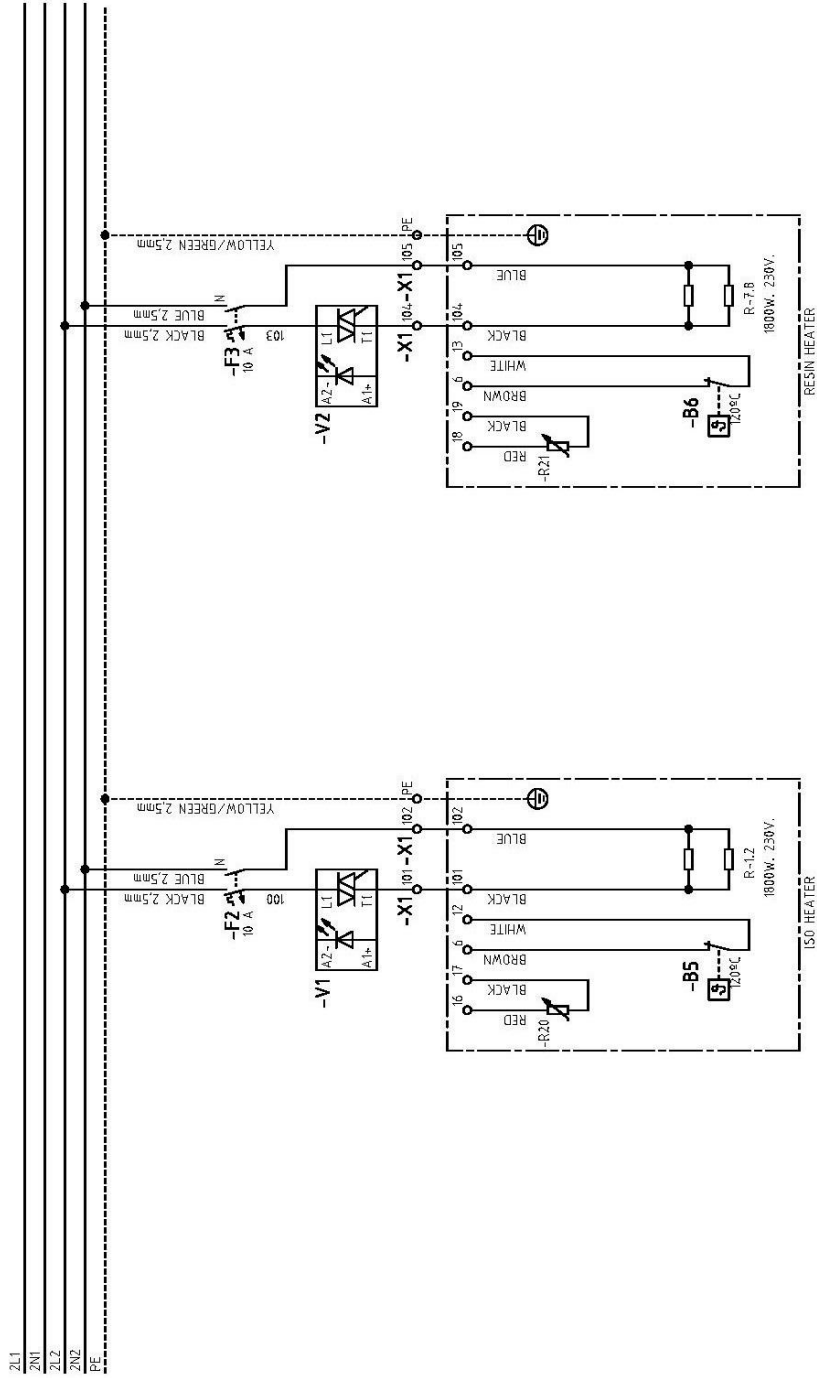


Figure 14. Circuit diagram: single-phase 230V 50/60Hz standard version (page 2/7)

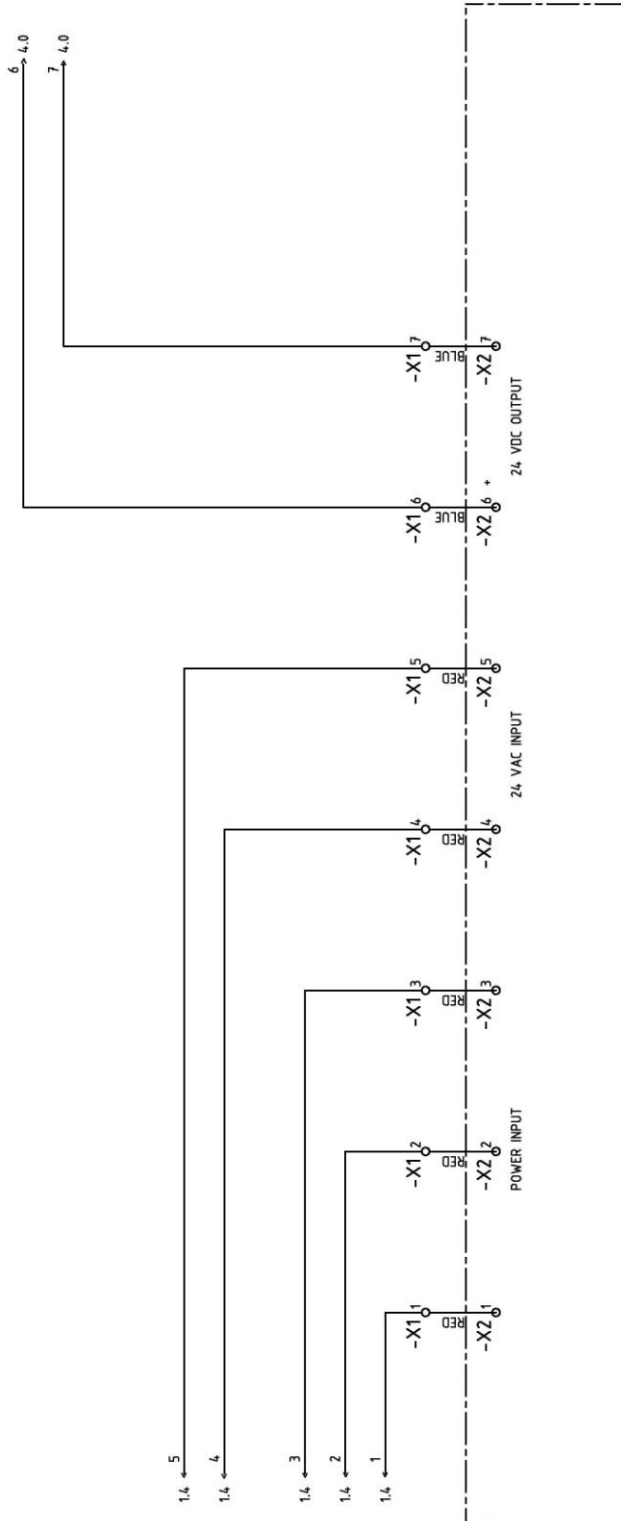


Figure 15. Circuit diagram: single-phase 230V 50/60Hz standard version (page 3/7)

Parts Identification

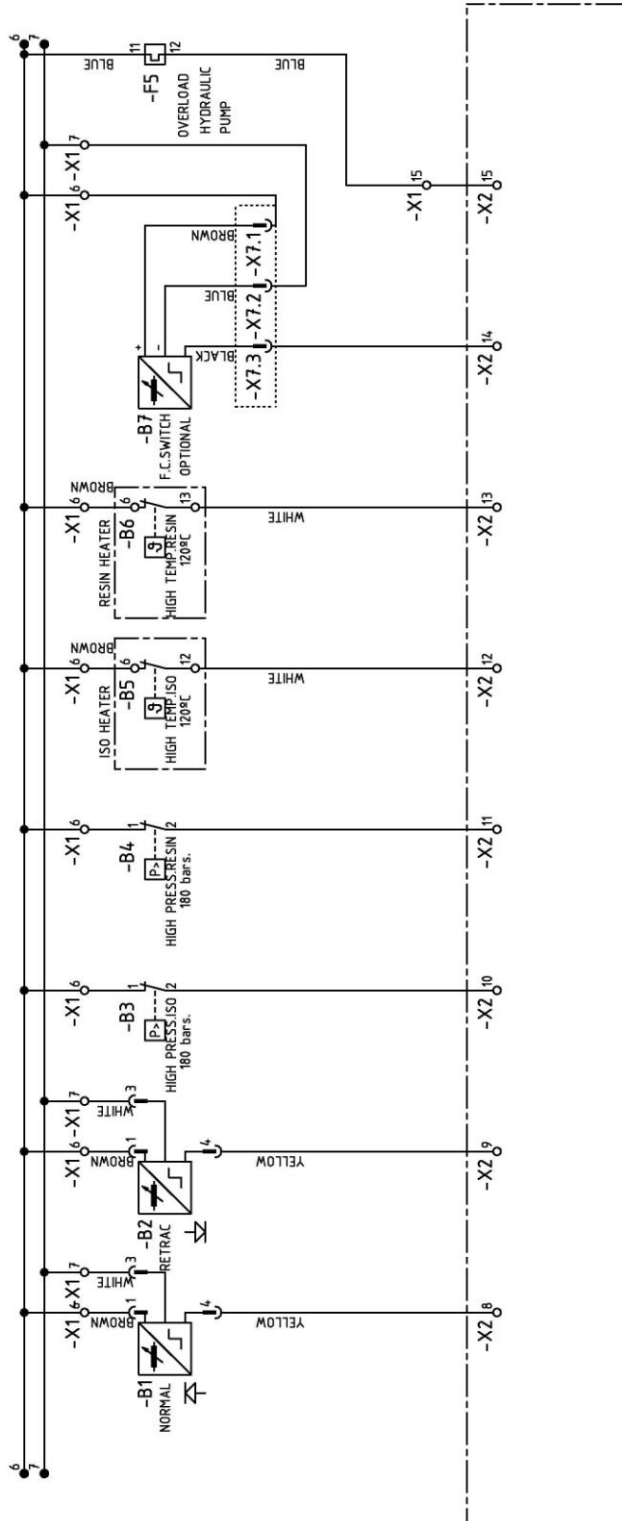


Figure 16. Circuit diagram: single-phase 230V 50/60Hz standard version (page 4/7)

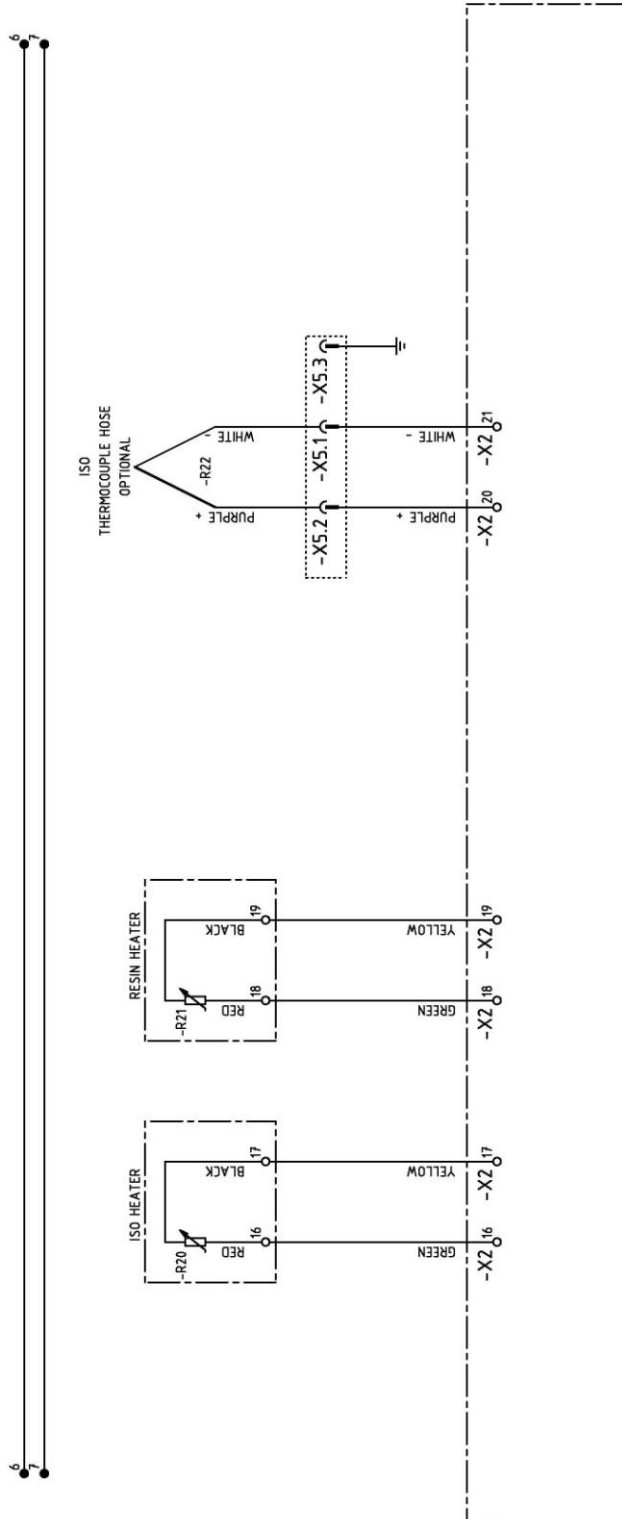


Figure 17. Circuit diagram: single-phase 230V 50/60Hz standard version (page 5/7)

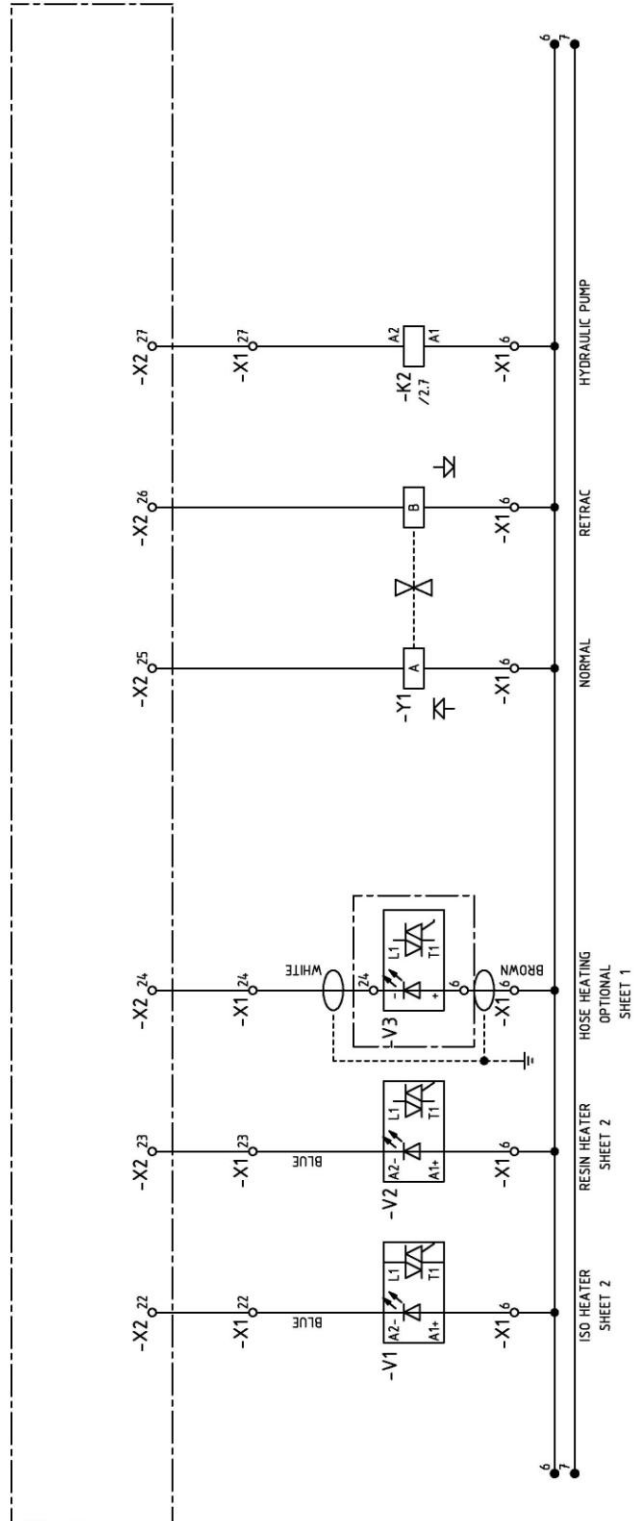


Figure 18. Circuit diagram: single-phase 230V 50/60Hz standard version (page 6/7)

Parts Identification

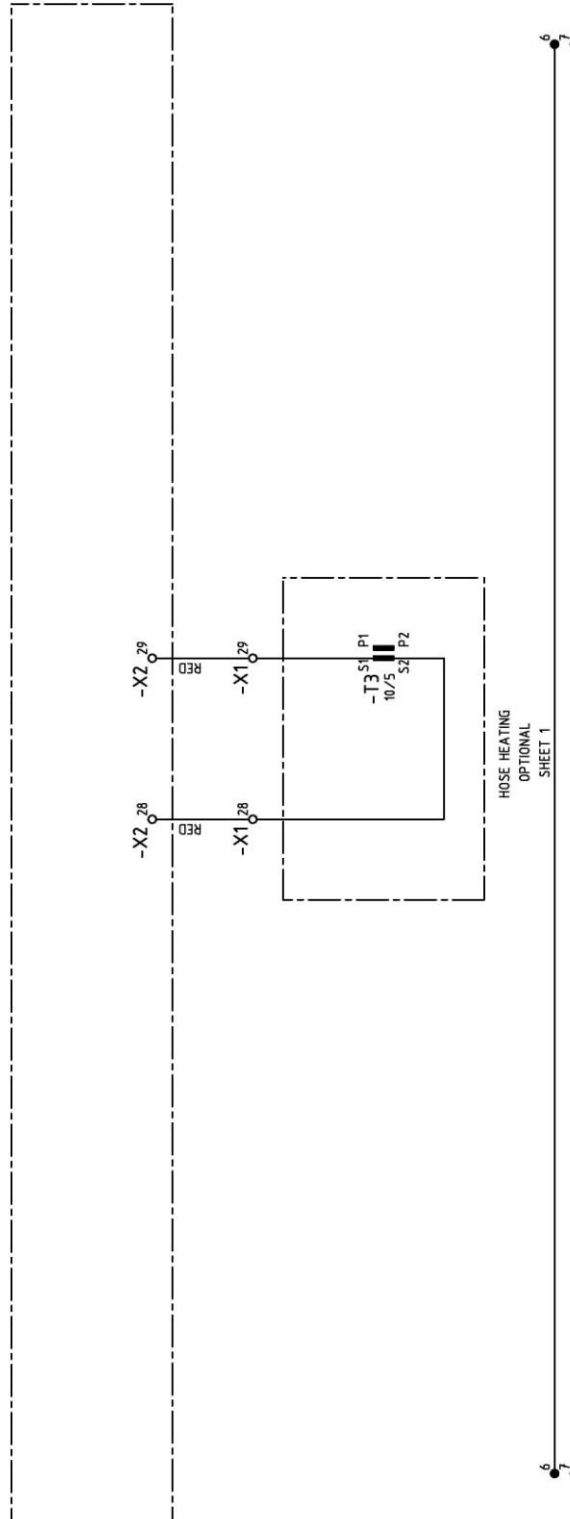


Figure 19. Circuit diagram: single-phase 230V 50/60Hz standard version (page 7/7)



Parts Identification

Table20. List of parts for single-phase distribution board 230V 50/60Hz version 1, hoses with recirculation.

Pos.	Description	Reference	Qty
X1	Terminal Block.	EL-00105-12	1
I1	Main Switch 63 A	EL-00107-07	1
	Control Switch	EL-00107-06	1
D1	Differential Circuit Breaker 40 A, 30 mA	EL-00108-00	1
F1	Auto Switch 1P+N, 3 A	EL-00109-04	1
F2, F3	Auto Switch 1P+N, 10 A	EL-00111-04	2
F5	Auto Switch 1P+N, 12 A	EL-00119-11	1
	Auto Switch Base Connection	EL-00119-10	2
F10	Fuse Terminal	EL-00104-13	1
	Fuse 3,15 A	EL-00128-02	2
T1	Transformer 63 VA, 230/400 – 24 V	EL-00127-01	1
V1, V2	Solid Relay 12 A, 600 V	EL-00126-09	2
K2	Contacteur 7,5 KW, 24 VDC	EL-00121-02	1

Table21. List of parts for variant single-phase distribution board 230V 50/60Hz version 2, heated hoses.

Pos.	Description	Reference	Qty
F4	Auto Switch 1P+N, 10 A	EL-00111-04	1
T3	Intensity Transformer 10/5 A	EL-00127-18	1
V3	Solid Relay	EL-00126-02	1

Parts Identification

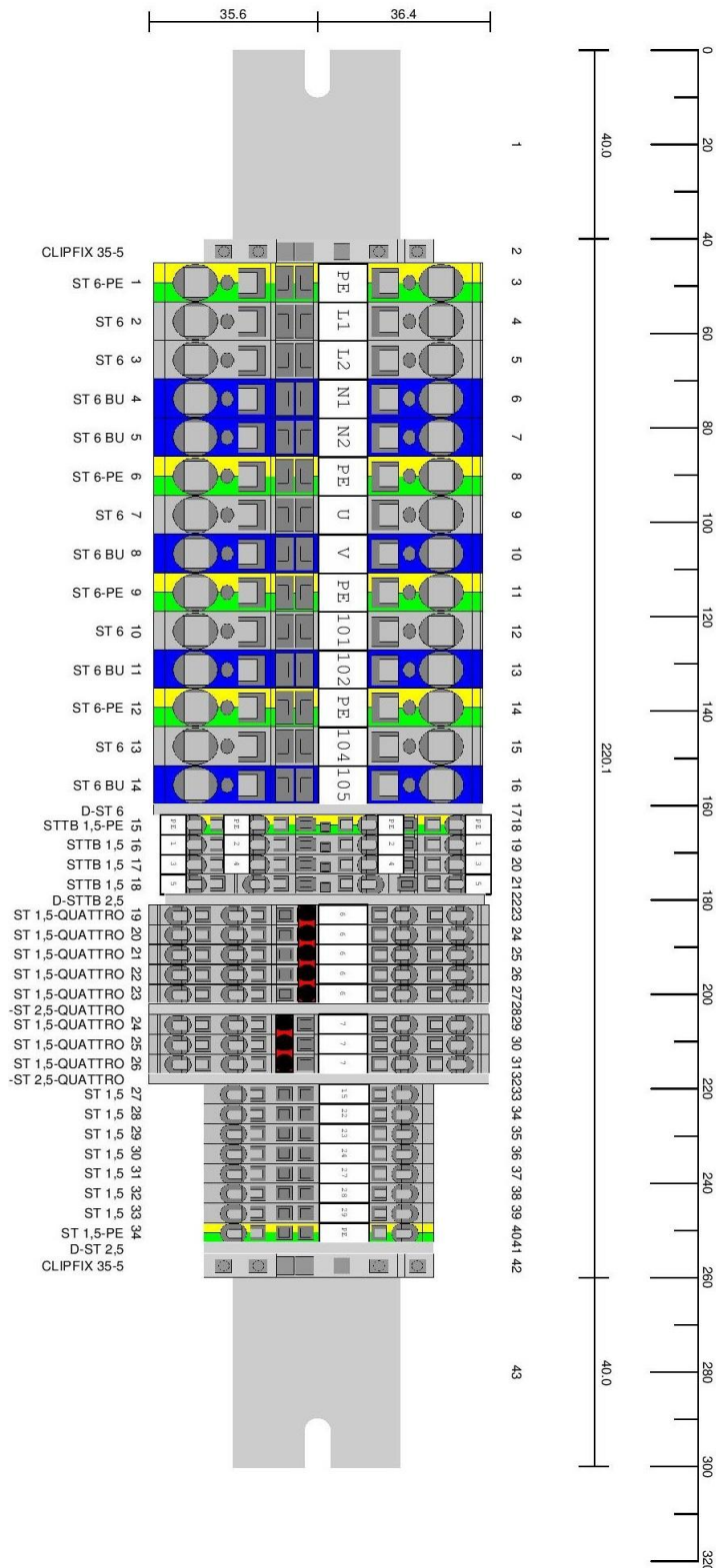


Figure 20. Distribution board

PNEUMATIC CIRCUIT

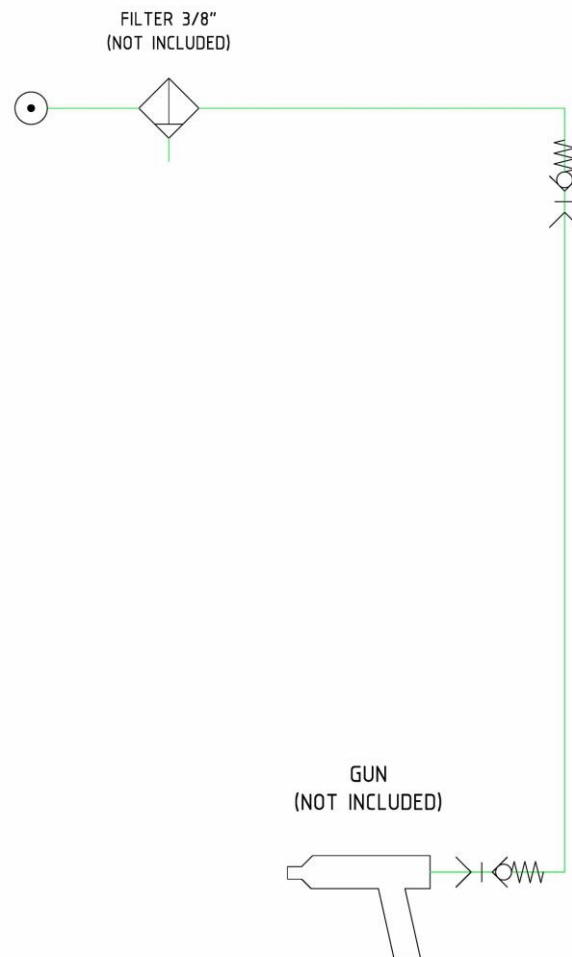


Figure 21. Pneumatic circuit

HYDRAULIC CIRCUIT

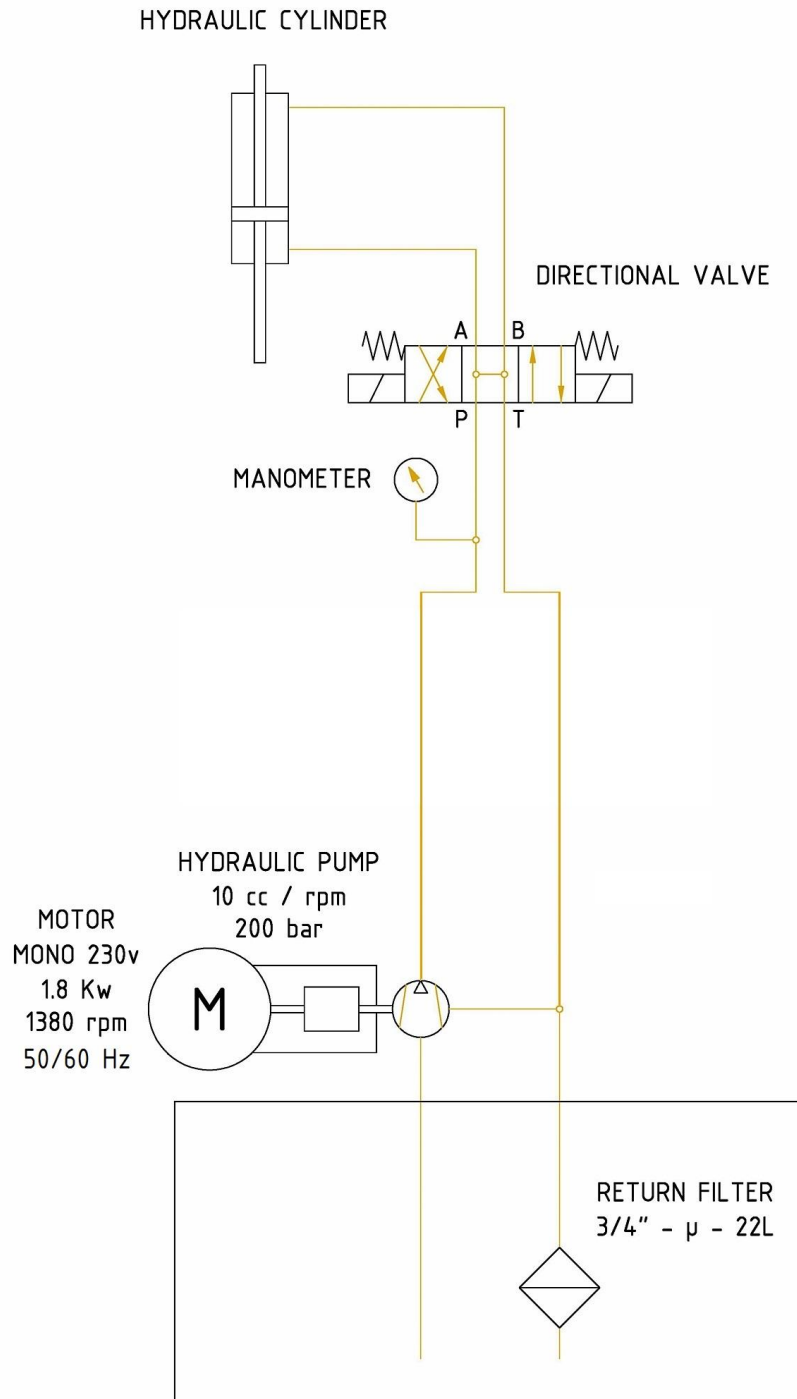


Figure 22. Hydraulic circuit

FUNCTIONAL DIAGRAM STANDARD MODEL

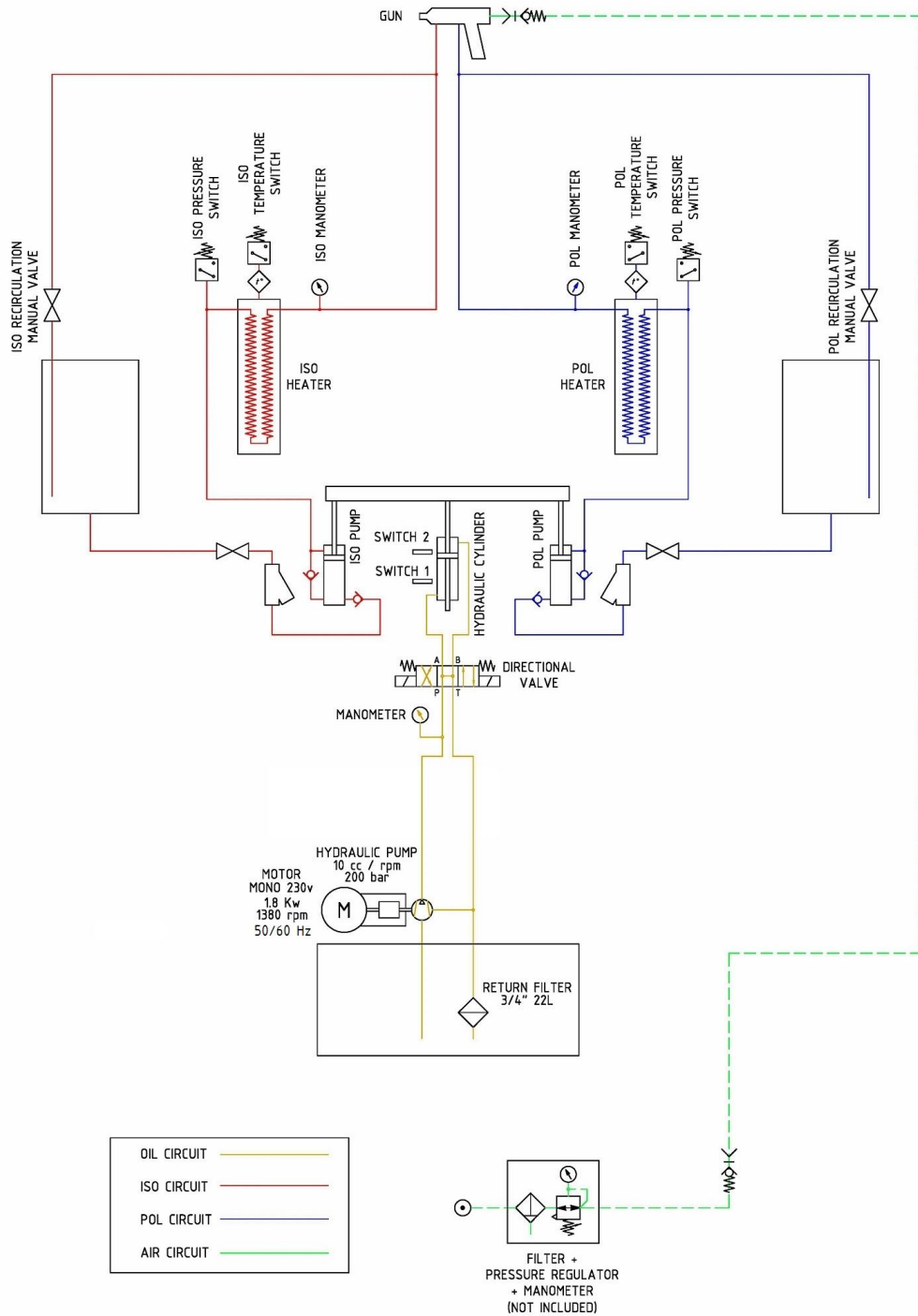


Figure 23. Functional diagram standard model

FUNCTIONAL DIAGRAM HEATED HOSE MODEL

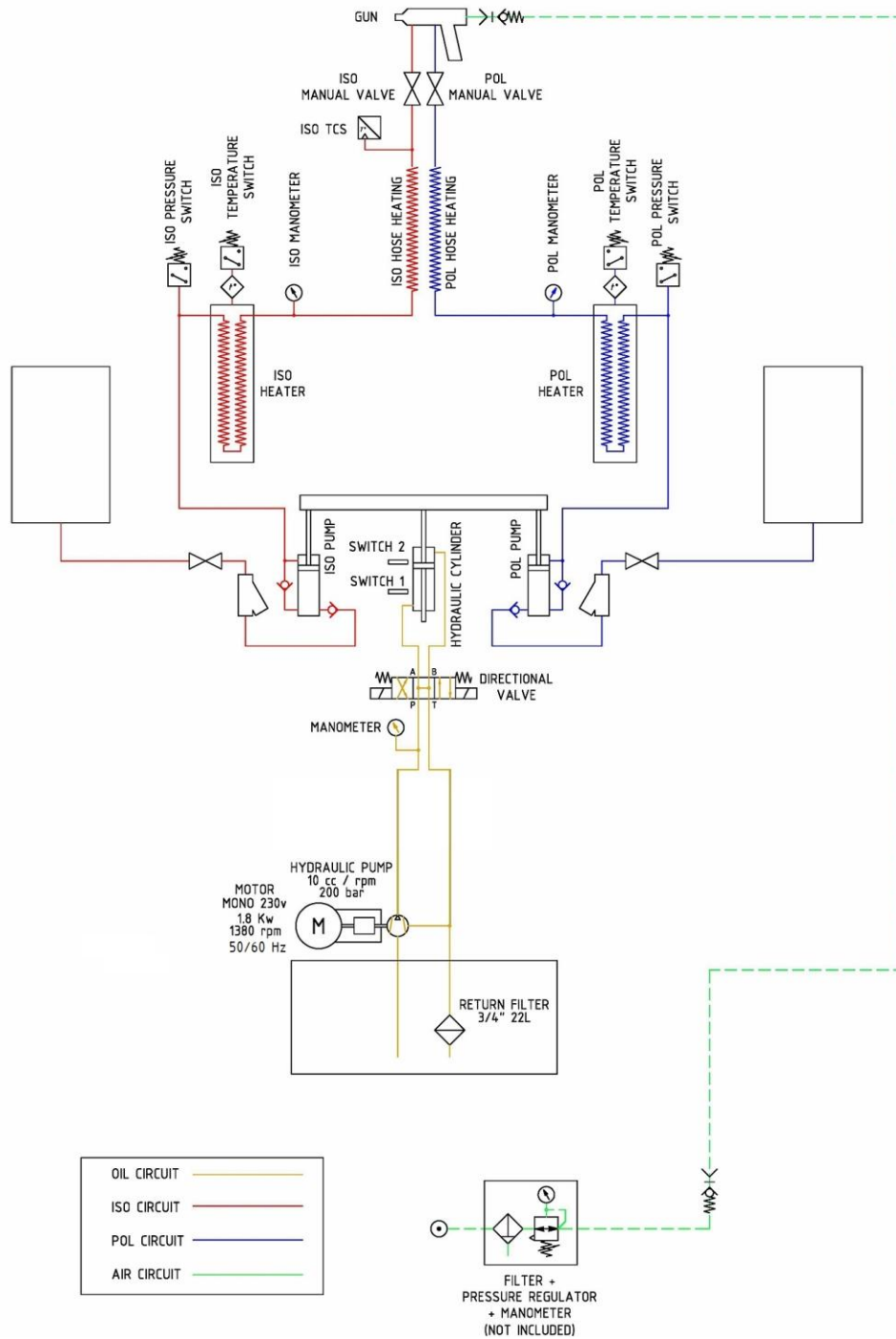


Figure 24. Functional diagram heated hose model



CONTENTS

Warranty	2
Spray unit model easy spray - H	3
Electrical console	5
Hydraulic drive with single-phase motor 230V 50/60Hz (VK pump)	7
Hydraulic drive with single-phase motor 230V 50/60Hz (BR pump)	8
Framework components	11
Proportioning pump assembly	13
Proportioning pump	17
Proportioning pump piston	19
Primary heater	21
Inlet Bypass kit Ref. KT-00119	24
Recirculation kit Ref. KT-00059-90	26
Additional transformer (optional)	28
Circuit diagram: single-phase 230V 50/60Hz	30
Pneumatic circuit	39
Hydraulic circuit	40
Functional diagram standard model	41
Functional diagram heated hose model	42
Contents	43
List of illustrations	44
List of tables	45



LIST OF ILLUSTRATIONS

Figure 1. Spray unit model easy spray - H	3
Figure 2. Electrical console for Easy Spray - H	5
Figure 3. Single-phase hydraulic drive 230V 50/60Hz (with VK pump)	7
Figure 4. Single-phase hydraulic drive 230V 50/60Hz (with BR pump)	8
Figure 5. Framework components	11
Figure 6. Proportioning pump assembly	13
Figure 7. Proportioning pump	17
Figure 8. Proportioning pump piston, exploded view	19
Figure 9. Primary heater	21
Figure 10. Inlet Bypass kit Ref. KT-00119	24
Figure 11. Recirculation kit Ref. KT-00059-90	26
Figure 12. Additional transformer (optional)	28
Figure 13. Circuit diagram: single-phase 230V 50/60Hz standard version (page 1/7)	30
Figure 14. Circuit diagram: single-phase 230V 50/60Hz standard version (page 2/7)	31
Figure 15. Circuit diagram: single-phase 230V 50/60Hz standard version (page 3/7)	32
Figure 16. Circuit diagram: single-phase 230V 50/60Hz standard version (page 4/7)	33
Figure 17. Circuit diagram: single-phase 230V 50/60Hz standard version (page 5/7)	34
Figure 18. Circuit diagram: single-phase 230V 50/60Hz standard version (page 6/7)	35
Figure 19. Circuit diagram: single-phase 230V 50/60Hz standard version (page 7/7)	36
Figure 20. Distribution board	38
Figure 21. Pneumatic circuit	39
Figure 22. Hydraulic circuit	40
Figure 23. Functional diagram standard model	41
Figure 24. Functional diagram heated hose model	42



LIST OF TABLES

Table 1. Spray unit parts list	3
Table 2. Basic configurations	4
Table 3. List of references for electrical console	4
Table 4. List of parts for electrical console for Easy Spray - H	5
Table 5. List of cabinet variants	6
Table 6. List of parts for Face panel assembly	6
Table 7. List of parts for Hydraulic Drive with Single-phase Motor 230V 50/60Hz	9
Table 8. Variable of Single-phase Electric Motor	10
Table 9. List of framework components	12
Table 10. List of parts for proportioning pump assembly	14
Table 11. List of parts per proportioning pump size, easy spray-H	16
Table 12. List of parts for proportioning pump assembly	18
Table 13. List of components of proportioning pump piston	20
Table 14. Seal Kit, Parts List	20
Table 15. List of parts Primary heater	22
Table 16. List of parts specific to heater models	23
Table 17. List of components of Inlet Bypass kit	25
Table 18. List of components of recirculation kit	27
Table 19. List of components of additional transformer (optional)	29
Table 20. List of parts for single-phase distribution board 230V 50/60Hz version 1, hoses with recirculation.	37
Table 21. List of parts for variant single-phase distribution board 230V 50/60Hz version 2, heated hoses.	37